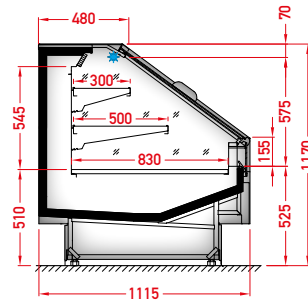


RDAN-37 BSA



1250



RDAN-37 CSS



2500

STANDARD FEATURES

- working temperature, straight module: from 0°C to 2°C
- natural defrosting
- 2 x NTC temperature probe
- siphoned condensate drains
- exposition: zinc-plated steel, powder coated in white (RAL 9003)
- 2 rows of suspended shelves, on shelves and on air inlet price holders 39 mm
- lighting: top, LEDit
- color of the base – black (RAL 9005)
- mechanical night blind for version BSA

OPTIONS

- sidewalls
- vertical LEDit lighting (CSS)
- underlighting shelves LEDit lighting
- cotroller with electronic expansion valve
- bumper

BSA – front glass riser | single, straight | fixed
CSS – cover | single, straight | sliding (sideways)

AVAILABLE MODULES

BSA	1250	1875	2500	3750
CSS	1250	1875	2500	3750

